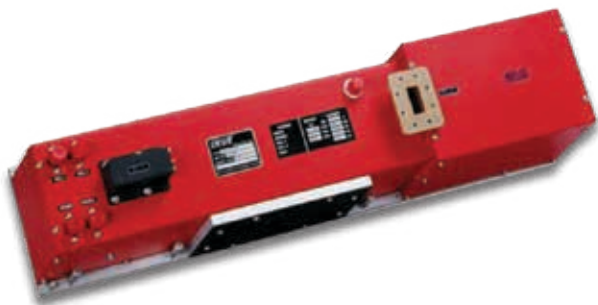


Communications & Power Industries Helix Traveling Wave Tube



Custom configurations are also available. These variations in the performance and configuration include:

- mechanical configurations
- electrical and RF connections
- dual-stage depressed collector

	Frequency (GHz)	Power output (min)
VTC-6369D3	5.85 - 6.65	2.25 kW
VTC-6369D4	5.85 - 6.65	2.25 kW
VTC-6369D5	5.850 - 6.725	2.25 kW

FEATURES:

- 2.25 kW CW
- 5.850 - 6.725 GHz
- PPM focusing
- Coaxial input
- Waveguide output
- Any mounting position
- Weight: 25 lbs. max
- Forced-air cooled

BENEFITS:

- High efficiency
 - Less prime power required (due to multiple stage collectors)
- PPM focusing

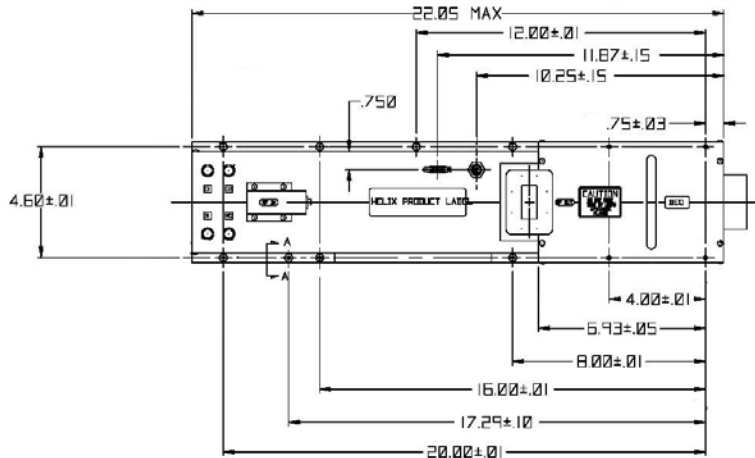
APPLICATIONS:

- Satellite uplinks
- Communications
- Instrumentation
- DBS (Direct Broadcast System)

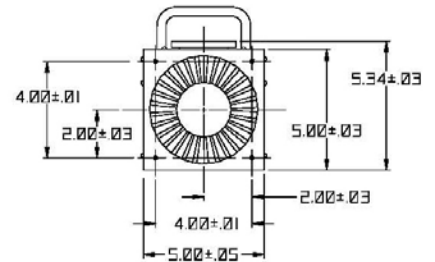
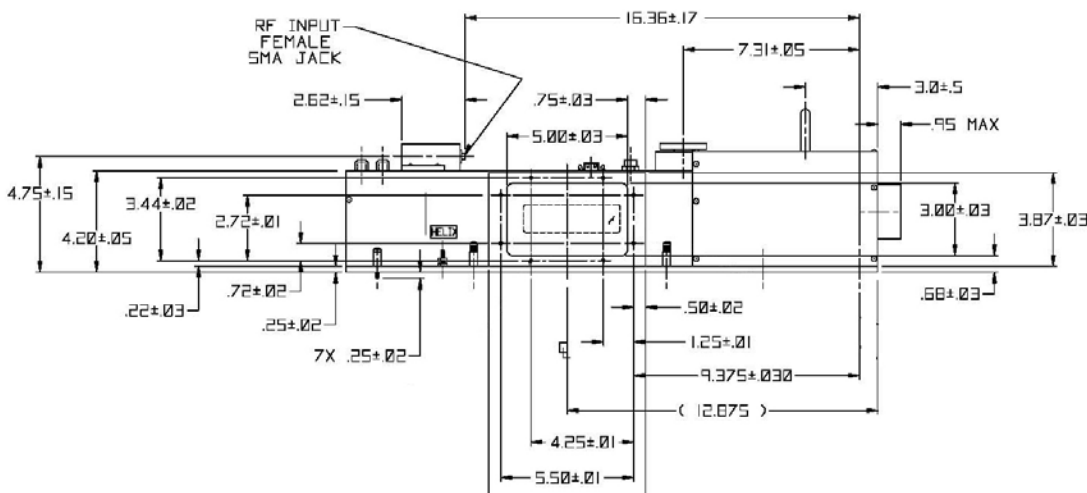
Typical Operating Parameters

	Minimum	Maximum	Typical	Units
Heater voltage	6.0	6.6	---	Vdc
Heater surge current	---	5.0	---	A
Helix voltage	14.4	15.5	---	kVdc
Helix current	---	25.0	---	mAdc
Collector voltage 1	63% of Ew	67% of Ew	---	kVdc
Collector current 1	---	990	---	mAdc
Collector voltage 2	33% of Ew	37% of Ew	---	kVdc
Collector current 2	---	650	---	mAdc
Cathode warm-up time	3.0	---	---	minutes
Collector temp	---	150	---	°C
Prime power	---	6750	---	W
Load VSWR	---	1.3:1	---	VSWR
Air flow	---	828	---	lb/hr

CPI CW Helix Traveling Wave Tube: VTC-6369D3, D4, D5



Outline:
VTC-6369D3, D4, D5



With a history of producing high quality products, we can help you with your Helix TWT.
Contact us at MPPMarketing@cpii.com or call us at +1 650-846-2800.

The data should be used for basic information only. Formal, controlled specifications may be obtained from CPI for use in equipment design.



**Microwave Power
Products Division**
811 Hansen Way
Palo Alto, California
USA 94304

tel +1 650-846-2800
email MPPMarketing@cpii.com
web www.cpii.com/MPP

For more detailed information, please refer to the corresponding CPI technical description if one has been published, or contact CPI. Specifications may change without notice as a result of additional data or product refinement. Please contact CPI before using this information for system design.

©2020 Communications & Power Industries LLC. Company proprietary; use and reproduction is strictly prohibited without written authorization from CPI.